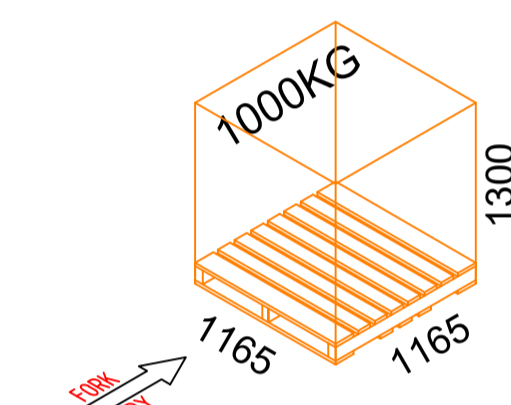
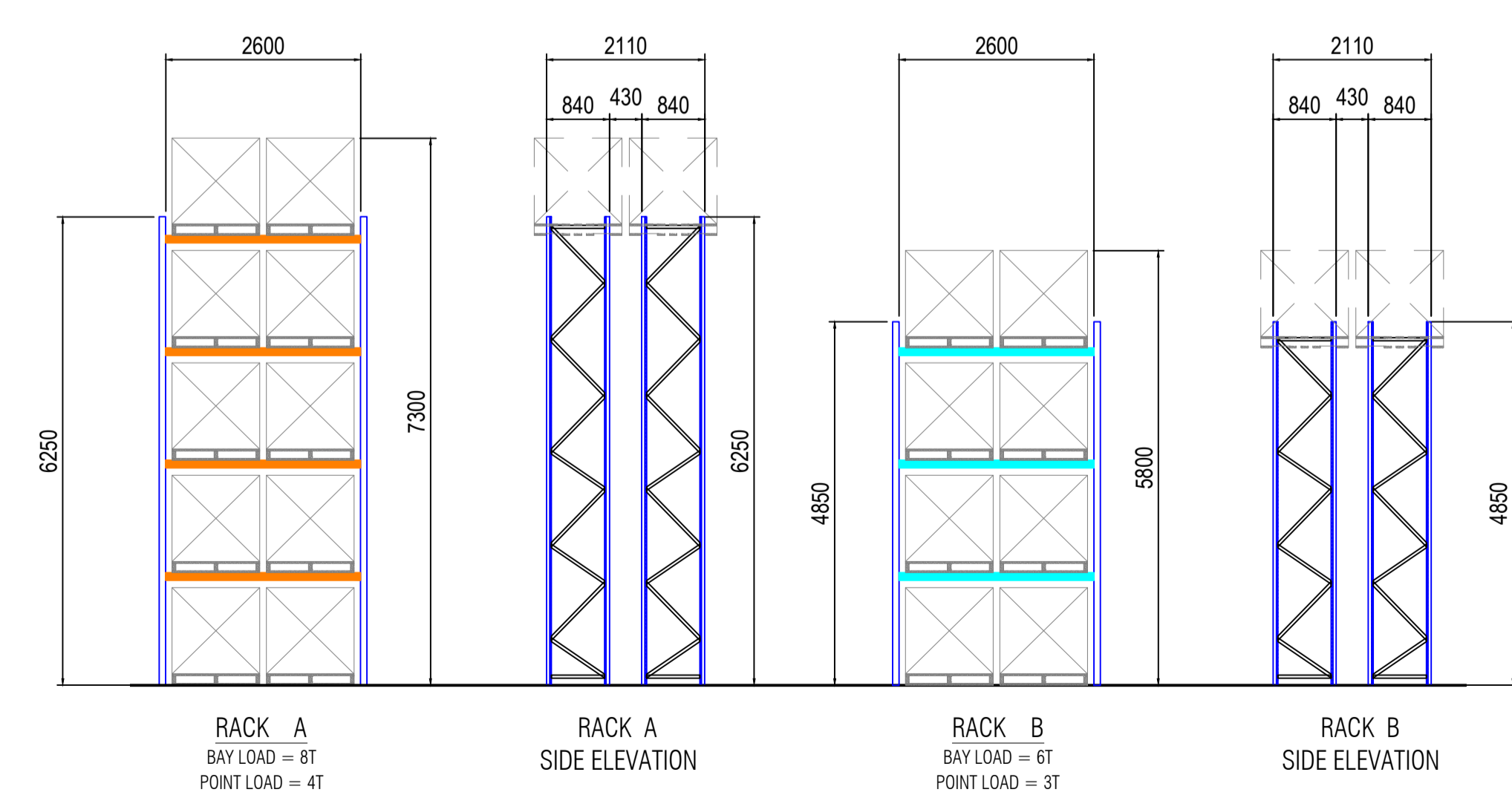


- LEGEND:**
- RTCC - RACK TO COLUMN CENTER
  - RTCF - RACK TO COLUMN FACE
  - RTR - RACK TO RACK
  - RTW - RACK TO WALL
  - 0-0- - SAFETY FENCE



SECTION VIEW THRU A-A  
SCALE 1:125

PLAN VIEW  
SCALE 1:125



STORAGE SUMMARY	
PALLET POSITIONS	1394 PALLETS
MINIMUM AISLE WIDTH	3300MM
MINIMUM BEAM PITCH	1500MM

**NOTE:** BUILDING HEIGHT IS APPROXIMATE ONLY. SUBJECT TO SITE MEASURE.

ALEX PELLIN  
SALES ENGINEER  
**stow**  
one brand, one company  
PH: 0488775004  
E-MAIL: APellin@stow.com.au

ARNA HARVEY  
SENIOR PROPERTY MANAGER  
**Centuria**  
PH: 0407160280  
E-MAIL: Arna.Harvey@centuria.com.au

NOTE: DEVIATIONS FROM THIS DRAWING MAY IMPAIR THE SAFETY OF THE RACKING AND THEREFORE ANY CHANGES SHOULD BE REASSESSED TO DETERMINE IF THE RACK CAPACITY IS AFFECTED. STOW TAKES NO RESPONSIBILITY FOR CONCRETE LOADS OR ANTI-FIRE PROTECTION SYSTEMS.



REVISION	AMENDMENT	REV BY	DATE
A	ISSUED FOR CLIENT INFORMATION	LEO	13-APR-2023

© COPYRIGHT THIS PRINT IN DESIGN AND DETAIL IS THE PROPERTY OF PAK RACK PTY LTD AND IS LOANED SUBJECT TO RETURN UPON REQUEST AND UNDER THE EXPRESS CONDITION THAT IT MUST NOT BE COPIED OR ITS CONTENTS DIVULGED WITHOUT PAK'S WRITTEN PERMISSION.



Drawn: LEO	Chkd: xx	Sheet size: 1:1 @ A1	Date: 13-APR-2023
43 - 49 - WHARF ROAD, PORT MELBOURNE, VIC 3207			
Drawing No: PR26xxx - 001A	Sheet: 1 OF 1	Scale: AS SHOWN	